

1.51486.0001

manu-CART®

The „one-turn“ cartridge system for simple, rapid „hands only“ fitting of cartridges and precolumns.

manu-CART® cartridge holder for the LiChroCART® cartridge system are ingenious. They are re-usable and fit every cartridge length with different internal diameter. And a simple turn permits an easy and problem-free integration of a guard cartridge.

The manu-CART® cartridge holder fits for 2, 3, 4 and 4.6 mm i.d. LiChroCART® cartridges and 75, 100, 125, 150 and 250 mm length.

Mounting the manu-CART® to a LiChroCART® cartridge without precolumn

The manu-CART® (Cat. No. 1.51486.0001) consists of the following pieces. Check that you have all of these pieces before you begin to assemble your column.

No.	Description	Quantity
1	Cap nut	2
2	Spin collet	4
3	End fitting	2

The following procedure describes how to fit the pieces to just one end of your cartridge. Repeat steps 1–4 for the other end.

1. Insert the cartridge through the end fitting, so that the outer thread is at the outermost end.
2. Place 2 split collets around the neck of the cartridge as shown in Figure 1.
3. Push the end fitting up over the 2 split collets.
4. Screw the end cap over the assembled endfitting. Tighten finger tight.
5. When you install your column into the flow path of your LC, tighten the end fittings leak tight using wrenches.

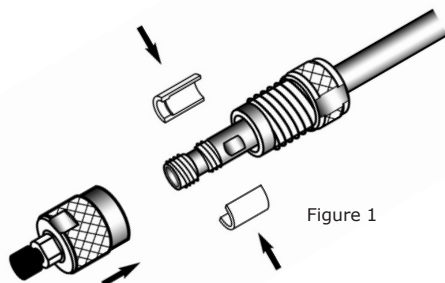


Figure 1

Mounting the manu-CART® to a LiChroCART® cartridge precolumn

1. Insert the cartridge through the end fitting, so that the outer thread is at the outermost end.
2. Place 2 split collets around the neck of the cartridge as shown in Figure 2.
3. Place the guard column cartridge inside the space at the end of the collets.
4. Push the end fitting up over the assembled guard column cartridge.
5. Screw the end cap over the end fitting. Tighten finger tight.
6. When you install your combined column and guard column into the flow path of your LC, tighten the end fittings leak-tight using wrenches.

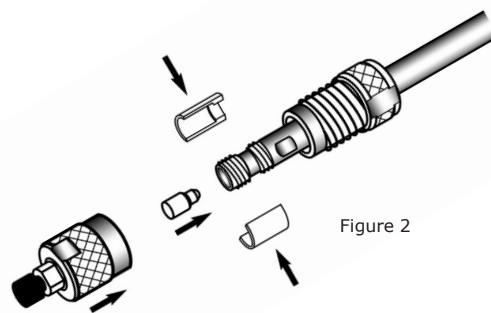


Figure 2

Status: 2020-11-24

Made in Germany

Merck KGaA, 64271 Darmstadt, Germany.
Tel. +49(0)6151 72-2440
www.sigmaldrich.com/HPLC

EMD Millipore Corporation, 400 Summit Drive
Burlington MA 01803, USA, Tel. +1-978-715-4321

Sigma-Aldrich Canada Co. or Millipore (Canada) Ltd.
2149 Winston Park, Dr. Oakville, Ontario, L6H 6J8
Phone: +1 800-565-1400

